



DLF3200-L / DLH3200-L V1 32" TFT LCD, LED Backlight 2500nits, FHD(1920x1080)

The DLF/DLH3200-L is a 32 inch industrial grade sunlight readable LCD, with high brightness 2500 nits and high color saturation, it produce sharp images, crisp text and lifelike colors. The Durapixel LED backlight technology ensures high reliability and low power consumption, suitable for outdoor application, kiosk, factory automation, military, transportation and gaming application.

Key Features

- High Brightness 2500 nits
- Sunlight Readable
- LED Backlight
- Low Power Consumption
- Slim Bezel
- BL MTBF: 100,000 hours



Specifications

Model Name	DLF3200-L / DLH3200-L V1
Description	32" TFT LCD, LED Backlight 2500 nits, FHD (1920x1080)
Screen Size	32"
Display Area (mm)	698.4(H) x 392.85(V)
Brightness	2500 cd/m ²
Resolution	1920x1080
Aspect Ratio	16 : 9
Contrast Ratio	1100 : 1
Pixel Pitch (mm)	0.36375(H) x 0.36375(V)
Pixel Pre Inch (PPI)	68
Viewing Angle	178°(H),178°(V)
Color Saturation (NTSC)	78%
Display Colors	16.7M
Response Time (Typical)	8ms
Video Interface (DLF)	LVDS
Power Consumption (DLF)	83W
Dimensions (mm)	732.4 x 426.85 x 48.8
Bezel Size(U/B/L/R)	15/15/15/15 mm
Weight (Net)	7kg
Video Interface (DLH)	VGA, DVI-D, HDMI
Power Consumption (DLH)	112W
OSD Key	4 Keys (Power Switch, Menu, +, -)
OSD Control	Brightness, Color, Contrast, Auto Turing, H/V Position...etc
Operating Temperature	0 °C ~ 50 °C
Storage Temperature	-20 °C ~ 60 °C

DLF= Panel+ LED Driving Board

DLH= Panel+ LED Driving Board + AD Control Board

Specifications are subject to change without notice.

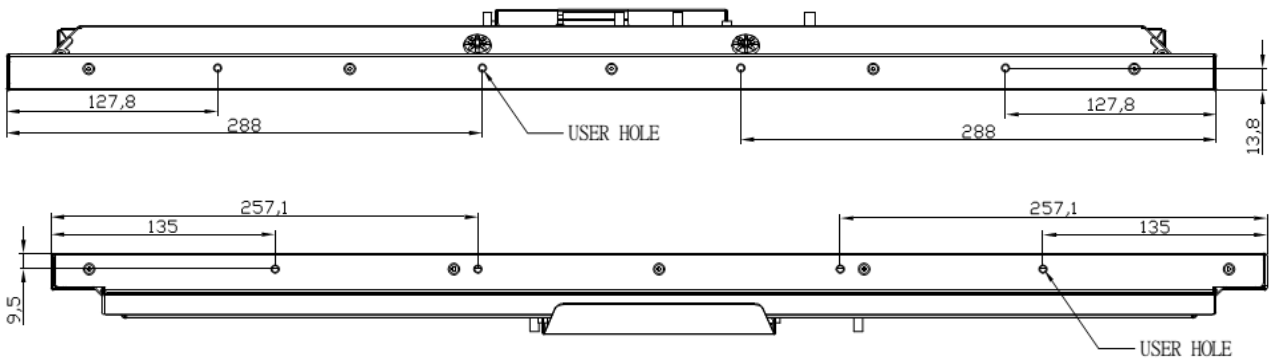
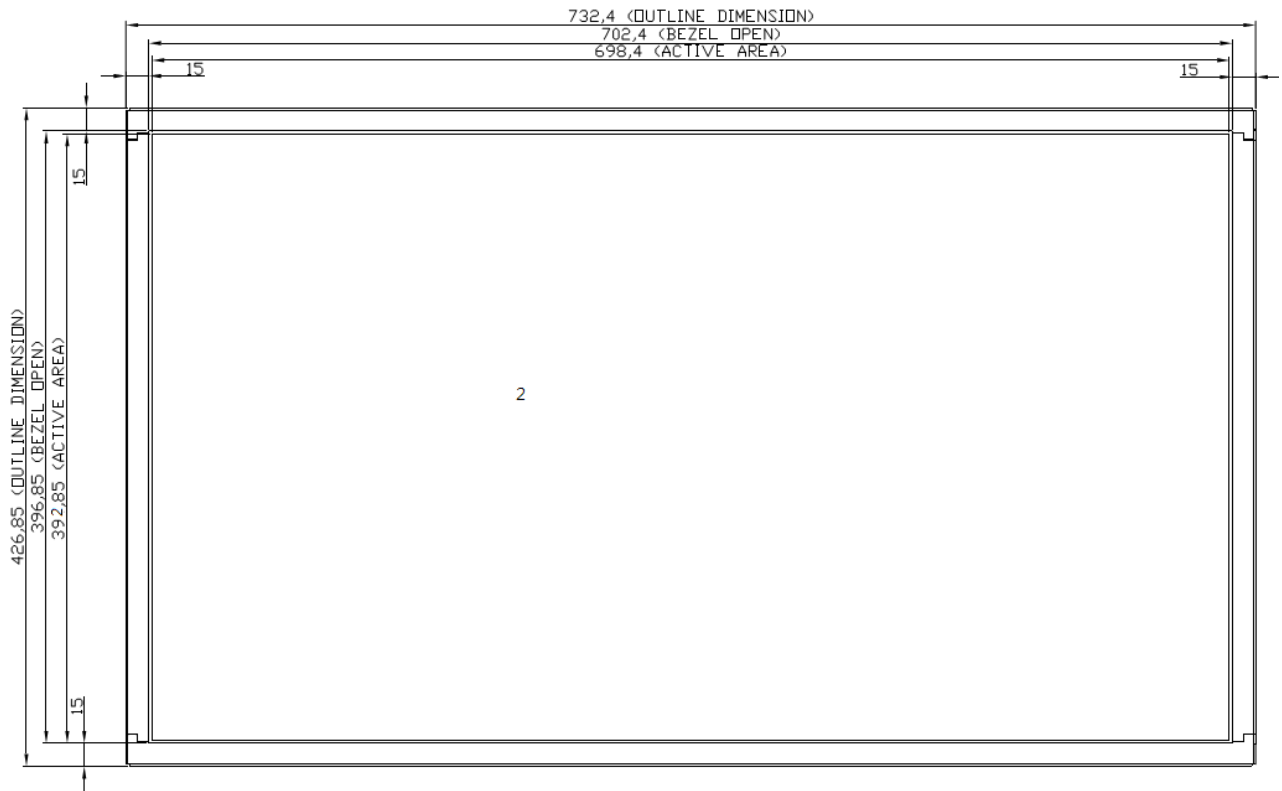
All brands or product names are trademarks or registered trademarks of their respective companies.

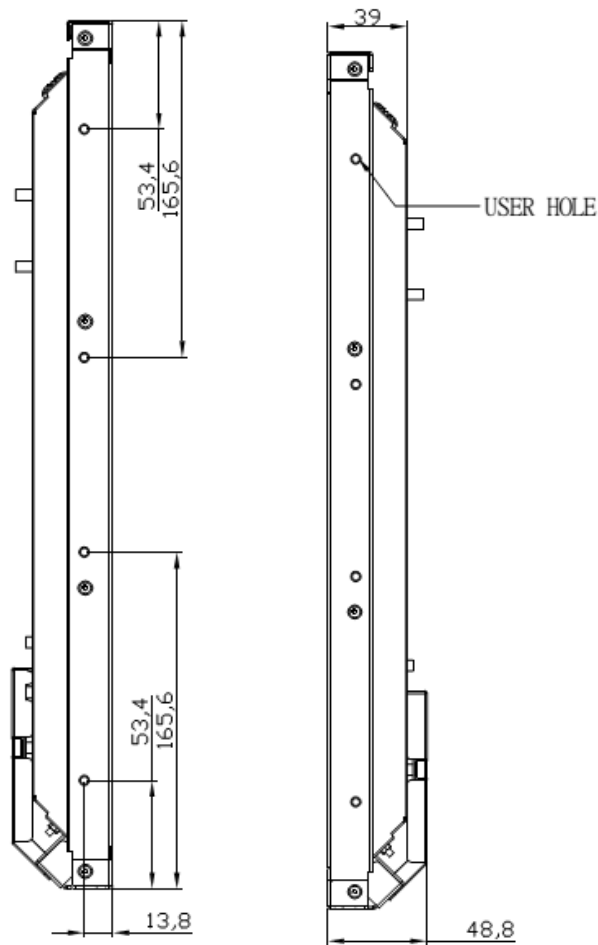
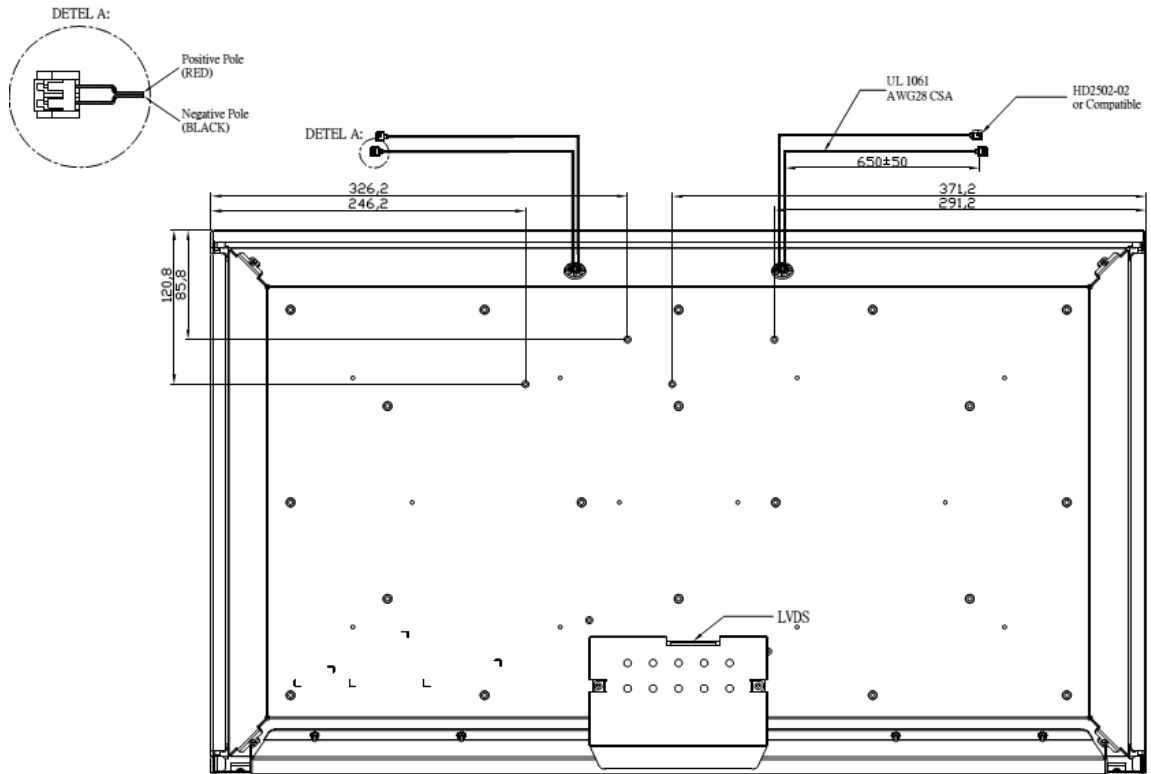


Mechanical Drawing

Outline Dimensions

Unit:mm







Ordering Information

Part Number	Description
DLF3200-LNN-A01	32",2500nits,FHD,LID32A,3in1,V1
DLH3200-LNN-G01	32",2500nits,FHD,LID32A,AD2662GDHM,AC100~240V,3in1,V1
DLH3200-LNN-G02	32",2500nits,FHD,LID32A,AD2662GDHMVAR,AC100~240V,3in1,V1

Optional Accessories

Part Number	Description
810618301010	CABLE.POWER.AC.1830mm USA type
810618301090	CABLE,POWER,AC,1830mm Europe type
810618301050	CABLE.POWER.AC.1830mm UK type
810618301170	CABLE.POWER,AC,1830mm Australia type
810618301031	CABLE.POWER.AC.1830mm Japan type

Customer request

Touch	SCT (Single-Touch), PCT (Multi-Touch)
Glass	Tempered glass, AR coating.....