



Riverdi Android Tab 7.0 Series

7" Android Touch Display

Rev.1.1

2020-05-14

ITEM	CONTENTS	UNIT
Product Type	Android Touch Display	/
Size	7.0	Inch
Viewing Angle	IPS	/
Product dimensions (W x H x D)	191.7 x 109.7 x 10.6	mm3
Number of Dots	1024 (RGB) × 600	/
Brightness	255	cd/m ²
Operating System	OS Android 7 (Nougat)	/
CPU	Quad Core MT8127 Cortex ARM A7, 1.3 GHz	/
GPU	Mali 450 MP4	/
RAM Memory	1GB RAM DDR3	/
Internal Storage	8GB NAND FLASH	/
WLAN	Wi-Fi IEEE 802.11 b/g/n (2.4 Ghz Single Band)	/
Touch	PCAP	/
Camera	Front 0.3MP / Rear 2MP	/
Power Supply	External power cable (DC 3.7 V~ 4.2 V – 1.5 A ~ 2.2A)	/
Backlight Lifetime	30,000	Hrs
Surface Treatment	Glare	/
Weight	258	g

Note 1: RoHS compliant

Note 2: LCM weight tolerance: ± 5%.

REVISION RECORD

REVNO.	REVDATE	CONTENTS	REMARKS
1.0	2020-04-27	Initial Release	
1.1	2020-05-14	Rev. 1.1	Clarify the range of power supply voltage

CONTENTS

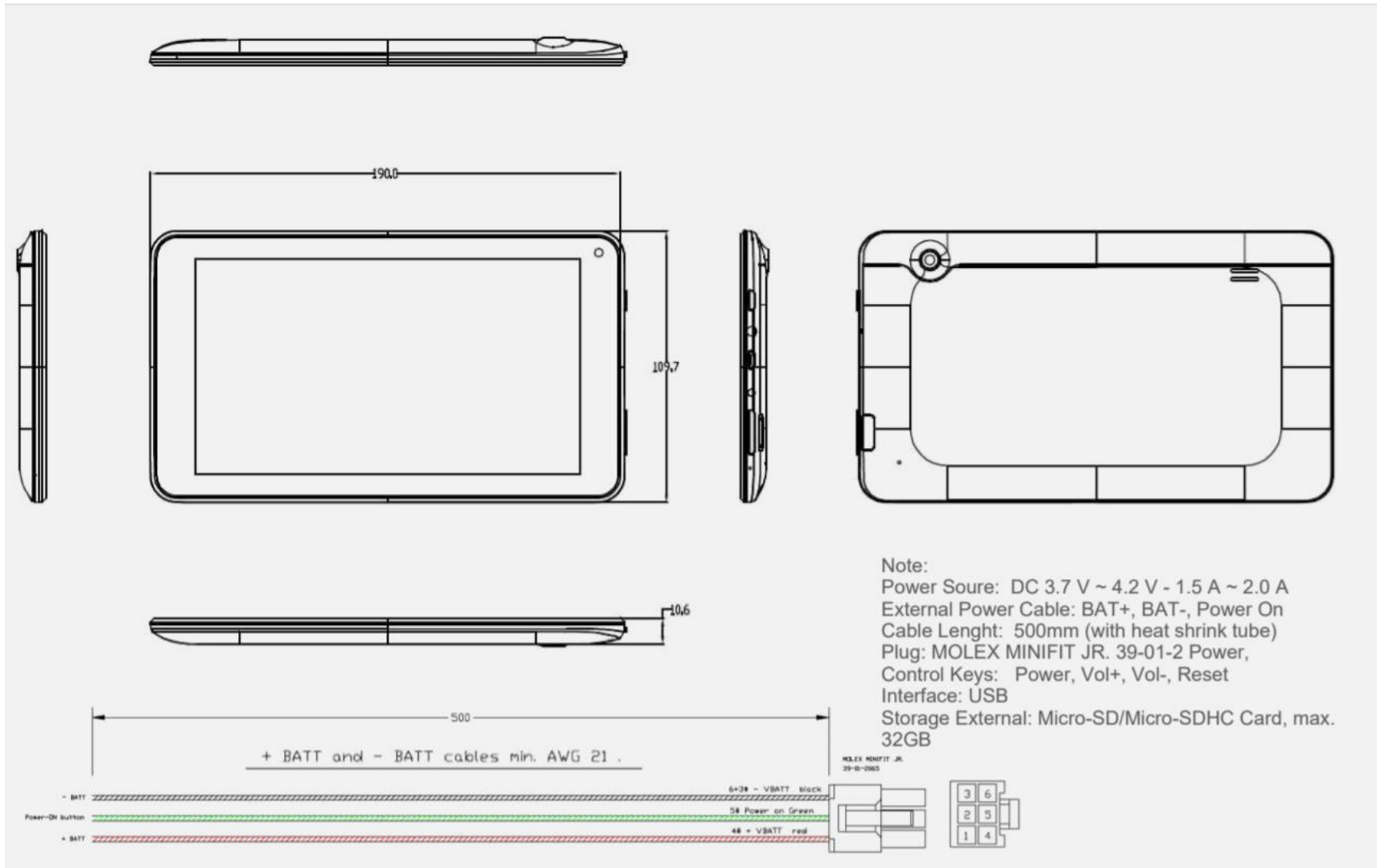
REVISION RECORD	2
CONTENTS	2
1 TECHNICAL SPECIFICATION.....	3
2 MODULE DRAWING.....	4
3 MAXIMUM OPERATING VAULE.....	5
4 ELECTRICAL CHARACTERISTICS	5
5 POWER ON/ OFF THE DEVICE	5
6 ORDER INFORMATION	6
6.1 Product Options	6
6.2 Product Presentation.....	6
7 LEGAL INFORMATION.....	9

1 TECHNICAL SPECIFICATION

DESCRIPTION		PARAMETER		
General	Design	Dimensions (W x H x D)	191.7 x 109.7 x 10.6	
		Weight	258 g	
	Display	Product Type	Android Touch Display	
		Size	7.0 Inch	
		Resolution	1024 × 600	
		Brightness	255 cd/m ²	
		Color Depth	24 bit	
		Aspect Ratio	16:9	
		Touch	PCAP	
		Viewing angle	IPS, 160° (Vertical) / 160° (Horizontal)	
		Touch Panel	Glass +Glass	
		Outer Casing	Color	RAL9005, Black,
	Material		Plastic with rubber painting	
Performance	Processor	CPU	Quad Core MT8127, 1.3 GHz	
		GPU	Mali 450 MP4	
	Memory	RAM	1GB RAM DDR3	
		Storage Internal	8GB NAND FLASH	
		Storage External	Micro-SD/Micro-SDHC Card, max. 32GB	
Features	Interface	USB	Yes	
	I/O	Microphone	Built-in	
		Speaker	Built-in, Stereo Speakers 1 x 0.8W, 8 ohm	
		Headphone	3.5mm Earphone	
	Power Supply	Type	External Power Cable / DC 3.7 V ~ 4.2 V -- 1.5A ~ 2.0A	
		Plug	MOLEX MINIFIT JR. 39-01-2065	
Hardware	Camera	Front	0.3 MP	
		Rear	2 MP	
	Sensors	Type 1	G-sensor	
		Type 2	3 Axis Accelerometer	
Network Connectivity	Wireless	WLAN	Wi-Fi IEEE 802.11 b/g/n (2.4 Ghz Single Band)	
		Bluetooth	Bluetooth 4.0 (LE)	
		GPS	N/A	

2 MODULE DRAWING

Technical Drawing



3 MAXIMUM OPERATING VAULE

PARAMETER	SYMBOL	MIN	MAX	UNIT
Operating Temperature	T _{OP}	0	45	°C
Operating Humidity	H _{OP}	10	85	°C

4 ELECTRICAL CHARACTERISTICS

PARAMETER	SYMBOL	MIN	TYP	MAX	UNIT
Power voltage	VDD	-	3.7	-	V
Input Current	IVDD	-	1.5	-	A
LED Life Time	-	-	30000	-	Hrs

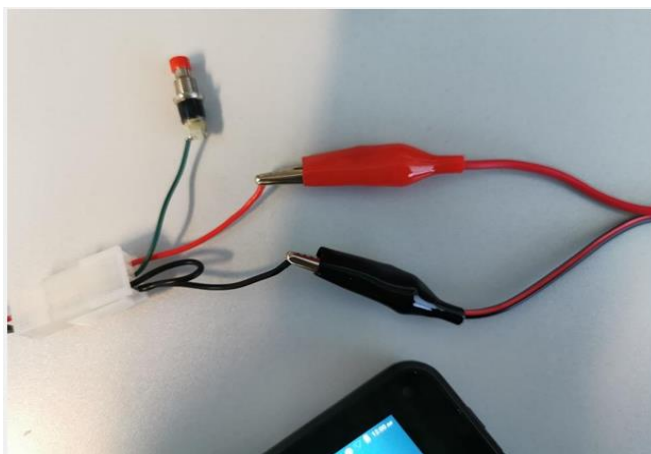
5 POWER ON/ OFF THE DEVICE

HOW TO TURN ON/OFF THE DEVICE

A)

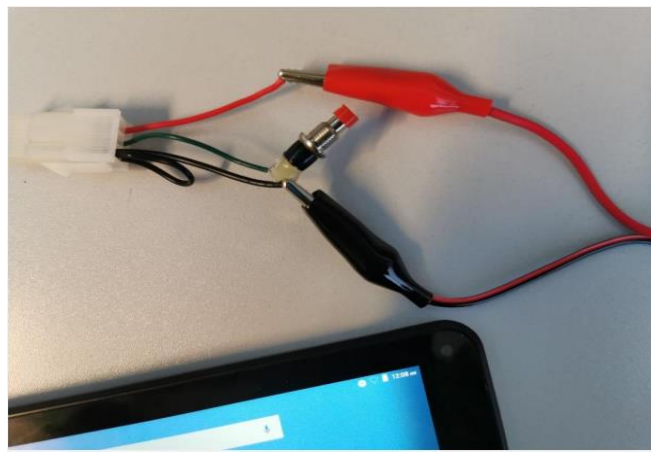
Turn On/Off the device using the physical power button on the product.

Note: the green cable is not used



B)

Turn On/Off the device using an external switch (not provided) or still via the power button on the product.



6 ORDER INFORMATION

6.1 Product Options

PRODUCT	DESCRIPTION
RiTAB- 70	7.0" Android Touch Display
RiTAB- 70 - FR	7.0" Android Touch Display + Metal Security Tablet Mount
RiTAB- 70 - ST	7.0" Android Display + Metal Security Tablet Mount + Adjustable Desk Mount Stand

6.2 Product Presentation

RiTAB- 70	
	<ul style="list-style-type: none">• Ideal for integration into vending machines / kiosks / stands / totems for info-point purposes.• Paired with the convenience of the Android OS, these touchscreen solutions are designed to accommodate proprietary applications used by retail stores, showrooms, tourist venues and public offices.• The most effective solutions for all-in-one touch display, with advanced, intuitive touch technology.• Used for a variety of different environments and it's the most effective solution for several vertical applications.
Front Side	
Rear Side	

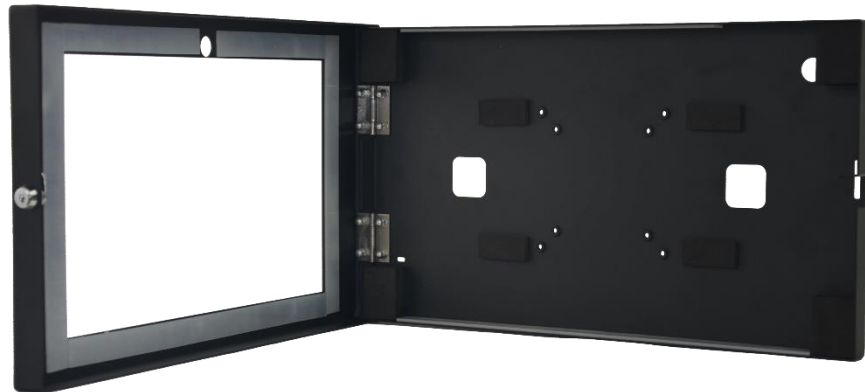
RiTAB - 70 - FR

- Ideal for kiosks, POS, businesses, schools, retail, offices, lobbies, hotels, hospitals, events, etc.
- Anti-theft & anti-tamper design to suit a wide array of applications for security purposes.
- The power & accessory cords can be fed through the openings on the enclosure. Built from a strong material to prevent breakage or tampering.
- The built-in key lock keeps the enclosure safe and secure.

Front View



Metal Security Frame



RiTAB - 70 - ST

- This sturdy solution is designed for checkout counters, kiosks, or any point of sales station requiring vertical adjustability and durability.
- Height adjustability, low profile footprint for maximum counter space, and finally a wide range of flexibility.
- Deliver the most comfortable viewing position and the durable design ensures a long life display accessory for public environments.

Side View



Adjustable Desk Mount Stand



7 LEGAL INFORMATION

Information about device are the property of Riverdi and may be the subject of patents pending or granted. It is not allowed to copy or disclosed this document without prior written permission.

Riverdi endeavors to ensure that the all contained information in this document are correct but does not accept liability for any error or omission. Riverdi products are in developing process and published information may be not up to date. Riverdi reserves the right to update and makes changes to Specifications or written material without prior notice at any time. It is important to check the current position with Riverdi.

Images and graphics used in this document are only for illustrative the purpose. All images and graphics are possible to be displayed on the range products of Riverdi, however the quality may vary. Riverdi is no liable to the buyer or to any third part for any indirect, incidental, special, consequential, punitive or exemplary damages (including without limitation lost profits, lost savings, or loss of business opportunity) relating to any product, service provided or to be provided by Riverdi, or the use or inability to use the same, even if Riverdi has been advised of the possibility of such damages.

Riverdi products are not fault tolerant nor designed, manufactured or intended for use or resale as on line control equipment in hazardous environments requiring fail – safe performance, such as in the operation of nuclear facilities, aircraft navigation or communication systems, air traffic control, direct life support machines or weapons systems in which the failure of the product could lead directly to death, personal injury or severe physical or environmental damage ('High Risk Activities'). Riverdi and its suppliers specifically disclaim any expressed or implied warranty of fitness for High Risk Activities. Using Riverdi products and devices in 'High Risk Activities' and in any other application is entirely at the buyer's risk, and the buyer agrees to defend, indemnify and hold harmless Riverdi from any and all damages, claims or expenses resulting from such use. No licenses are conveyed, implicitly or otherwise, under any Riverdi intellectual property rights.

